

Tiandy



TC-H354S Spec: 23X/I/E/V3.0

5MP 23× Starlight IR POE AI PTZ Camera

Lite Series



KEY FEATURES

- Up to 2880 × 1620@30fps
- Optical zoom: 23×, digital zoom 16×
- Smart IR, IR Range: 150m
- S+265/H.265/H.264/M-JPEG
- Intelligent monitoring
- Support Human/Vehicle Classification
- Plugin Free
- IP66



Tiandy Technologies Co.,Ltd.

Email: sales@tiandy.com

Tel: +86-22-58596065

Website: en.tiandy.com

Fax: +86-22-58596048



SPECIFICATIONS

Camera	
Image Sensor	1/2.7" CMOS
Signal System	PAL/NTSC
Min. Illumination	Color: 0.001lux@ (F1.6, AGC ON), BW: 0lux with IR
Shutter Time	1s to 1/100,000s
Day & Night	Dual IR Cut Filter with Auto Switch
Wide Dynamic Range	Mechanical wide dynamics
Optical Zoom	23x
Digital Zoom	16x
Lens	
Focal Length	5mm~115mm
Zoom Speed	<5s
Angle of View	Horizontal filed of view: 51.9° (w)~3.0° (t) Vertical filed of view: 39.7° (w)~2.2° (t)
Aperture Range	F1.6~F3.6
Pan&Tilt	
Pan Range	360°
Pan Speed	Pan Manual Speed: 0.1°~120°/s, Pan Preset Speed: 120°/s
Tilt Range	-16°~90° (Auto flip)
Tilt Speed	Tilt Manual Speed: 0.1°~120°/s, Tilt Preset Speed: 120°/s
3D Position	Yes
Presets	500
Preset Accuracy	±0.4°
Scan	8
Cruise	16
Pattern	8
Power-off Memory	Yes
RS-485 Protocols	-
Illuminator	
IR LEDs	7
IR Range	Up to 180m
IR Irradiation Angle	Adjustable by Zoom
White LEDs	N/A
Compression Standard	
Video Compression	S+265/H.265/H.264/M-JPEG
Video Bit Rate	32Kbps~16Mbps
Audio Compression	G.711A/G.711U/ADPCM_D/AAC_LC
Audio Bit Rate	8K~48Kbps
Image	
Max. Resolution	5MP(2880×1620)
Main Stream	PAL: 25fps (2880×1620, 2560×1440, 2304×1296, 1920×1080, 1280×720) NTSC: 30fps (2880×1620, 2560×1440, 2304×1296, 1920×1080, 1280×720)
Sub Stream	PAL: 25fps (704×576, 704×288, 640×360, 352×288) NTSC: 30fps (704×480, 704×240, 640×360, 352×240)
Third Stream	PAL: 25fps (640×480, 704×576, 704×288, 352×288) NTSC: 30fps (640×480, 704×480, 704×240, 352×240)
Image Setting	Saturation, brightness, contrast, sharpness, adjustable by client software or web browser
Image Enhancement	BLC/3D DNR/HLC
ROI	7 Areas for Both Main and Sub Stream
OSD	16×16, 24×24, 32×32, 48×48, 64×64, 96×96, adaptable size, Letters Such as Week, Date, Time, Total 5 Regions
Picture Overlay	Yes
Privacy Mask	4
Smart Defog	-

Tiandy

Feature	
Alarm Trigger	Motion Detection, Mask Alarm, IP Conflict, MAC Conflict Detection, FTP Server Exception, Disk Full, Disk R/W Error
Video Analytics	Tripwire, Double Tripwire, Perimeter, Object Abandon, Object Lost, Loitering, Running, Parking, Heatmap, Video Abnormal, Crowd, Audio Abnormal, Demographics(People Counting), On Duty Detection, Safety Helmet Detection
Early Warning(EW)	N/A
Auto-Tracking	N/A
Network	
Protocols	TCP/IP, ICMP, HTTP, HTTPS, FTP, DHCP, DNS, DDNS, RTSP, PPPoE, NTP, UPnP, SMTP, IGMP, QoS, IPV4, IPV6, MULTICAST, RTMP, NFS, SMB/CIFS, Multicast, SFTP, SRTP
System Compatibility	ONVIF (PROFILE S/T/G/M), SDK, CGI, P2P
ANR	-
Remote Connection	≤7
Client	Easy7, EasyLive Plus
Web Version	web6
Interface	
Communication Interface	1 RJ45 10M/100M self adaptive Ethernet port
Audio	1/1
Alarm	1/1
Speaker	N/A
Reset Button	Yes
On-board storage	Built-in Micro SD card slot, up to 512 GB
RS-485	Yes
BNC	N/A
Wiper	N/A
General	
Firmware Version	-
Web Client Language	17 languages Simple Chinese, Traditional Chinese, English, Spanish, Korean, Italian, Turkish, Russian, Thai, French, Polish, Dutch, Hebraism, Arabic, Vietnamese, German, Ukrainian
Operating Conditions	-40°C~70°C (IR OFF), -40°C~40°C (IR ON), 0-95%RH
Power Supply	AC24V±25%/POE++
Power Consumption	8.1W (IR OFF), 19.4W (IR ON)
Protection	IP66 Lightning protection, surge protection and voltage transient protection meets EN 55035:2017
Heater	N/A
Dimensions	161mm (D) ×276mm (H)
Weight	2.2kg(11.68lb)

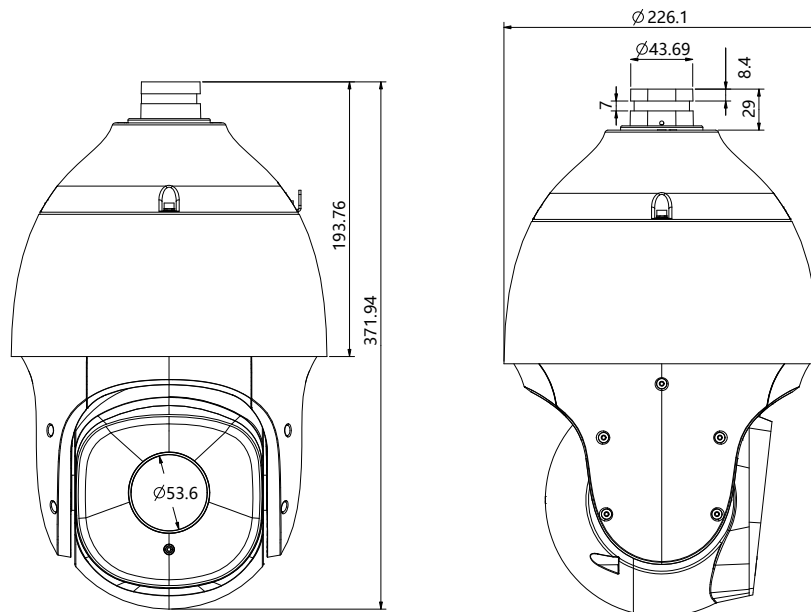
* Listed resolutions are only selectable options. It does not mean that all streams can work at their maximum resolution at the same time.

AVAILABLE MODEL

TC-H354S SPEC: 23X/I/E/V3.0

Tiandy

DIMENSIONS (Unit: mm)



ACCESSORIES

INCLUDED



DF20Y
Wall Mount

OPTIONAL



A37
Installation Adapter



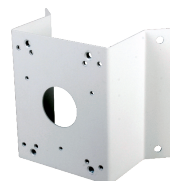
A38
Ceiling Mount



DF21Y
Pendant Mount



A36
Pole Mount



A35
Corner Mount



811
Junction Box

DISTRIBUTED BY



Tiandy Technologies Co.,Ltd.

Email: sales@tiandy.com

Tel: +86-22-58596065

Website: en.tiandy.com

Fax: +86-22-58596048