

DH-PFH610E Series

14" Extreme Cold Housing



Features

- Build-in heating system, applicable for -65°C ~ +55°C extreme environment
- IP67, IK10, corrosion-proof 14" housing (IR optional)
- Neat & Integrated design

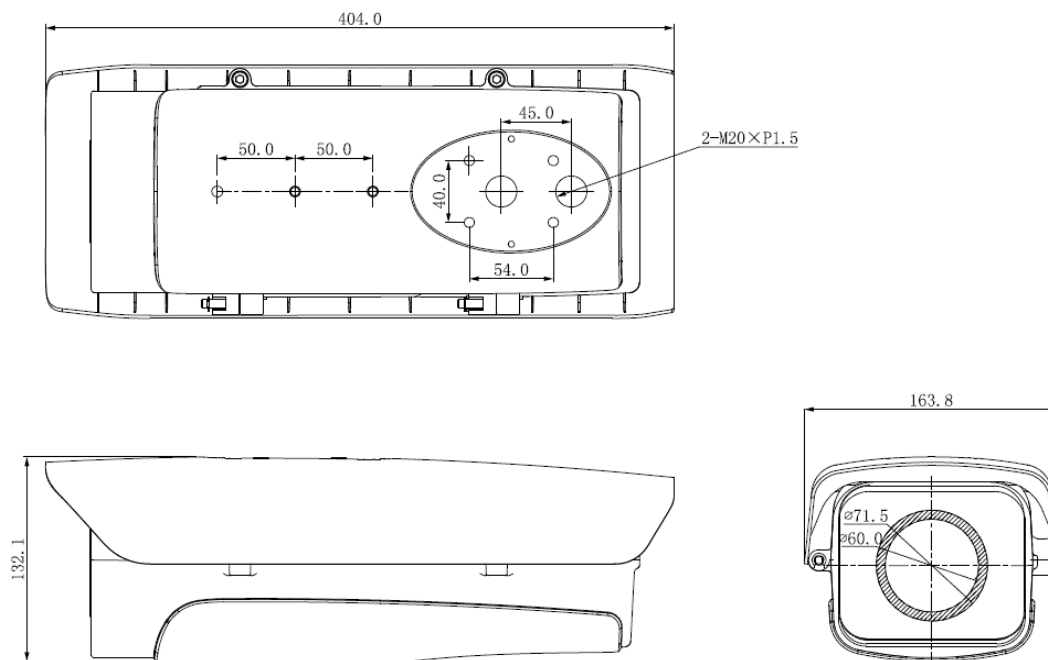
Technical Specifications

Model	DH-PFH610E	DH-PFH610E-IR
General		
Inside Dimension(LxWxH)	230mmx90mmx75mm(9.06"x3.54"x2.95")	
Window Dimension(LxWxH)	φ60mm(φ2.36")	
Heater Operating Temperature	ON: <-15°C(+41°F) OFF: ≥+25°C(+41°F)	
IR Distance	N/A	0~100m(0~328.08ft)
Power Voltage	AC220V±25%, 50/60Hz; AC110V±25%, 50/60Hz	
Power Consumption(without camera)	AC220V input: Heating mode: 350W Normal mode: 30W AC110V input: Heating mode: 150W Normal mode: 30W	
Environmental		
Operating Temperature	-65°C ~ +55°C(-85°F ~ +131°F)	
Humidity	<90% RH	
Ingress Protection	IP67	
Vandal Resistance	IK10	
Corrosion Protection	Meet the criteria of NEMA 4X	
Construction		
Material	Aluminum(case)&PC(others)	
Dimension(L x W x H)	404mmx164mmx132mm(15.91"x6.46"x5.2")	
Weight	3.7kg(8.16lb)	3.9kg(8.6lb)
Others		
Certification	CE, FCC	
Applicable Model	Please see "Accessory Selection"	

Order Information

Type	Part Number	Description
Housing Series	DH-PFH610E	14" extreme cold housing
	PFH610E	14" extreme cold housing
	DH-PFH610E-IR	14" extreme cold housing with IR
	PFH610E-IR	14" extreme cold housing with IR
Optional brackets	PFB604W	Wall-mount bracket
	PFB601W	Plane-mount bracket
	PFB600W	Ceiling-mount bracket
	PFA162	Support three-axis rotation for housing installation

Dimensions (mm)



Application



Package Information

PFH610E

- 14" extreme cold housing *1
- Installation instruction *1
- M20 water joint *2
- 1/4/20×8UNC screw *2
- S5.0 wrench *1
- Connecting line(link camera to weak panel) *1

PFH610E-IR

- 14" extreme cold housing with IR *1
- Installation instruction *1
- M20 Water joint *2
- 1/4/20×8UNC screw *2
- S5.0 wrench *1
- Connecting line(link camera to IR driver board & weak panel) *2